

LINE FILTER
TFU TYPE

TFU0904V Series

APPLICATIONS

Prevents Noise emission

Protects AC side from the affects of switching regulators.

Provides noise elimination and Immunity for TVs,VTRs/VCRs, audio equipments, etc.

FEATURES

Excellent Attenuation Characteristics at Low Frequencies

Compact Size, Large Inductance

Employs UL-Recognized Heat-Resistant Insulation Material

- YAGEO the part number of lead-free products will be added "-N" after original one as identification. Ex:TFU0904V-103-0.1A -N
- Customized specifications are also welcome

MODEL

SPECIFICATIONS

	INDUCTANCE (mH) Min.	RATED CURRENT (A)	DC RESISTANCE (Ω/Line) Max.
TFU0940V-103-0.1A	10	0.1	8.0
TFU0940V-820-0.2A	8	0.2	6.0
TFU0940V-502-0.3A	5	0.3	3.0
TFU0940V-302-0.5A	2	0.5	1.0
TFU0940V-102-0.7A	1	0.7	0.6
TFU0940V-501-1.0A	0.5	1.0	0.3

* Inductance Measurement Condition : 1KHz CH1061

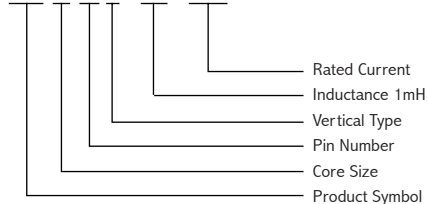
* RDC : CHEN HWA502BC

Note : Custom-Made Coils With Different Inductance and Rated Current Available on Request.



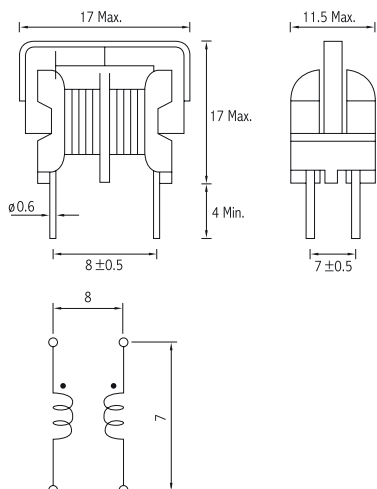
PRODUCT IDENTIFICATION

TFU 09 04 V - 103 - 0.1A



SHAPE AND DIMENSIONS

Dimensions : mm



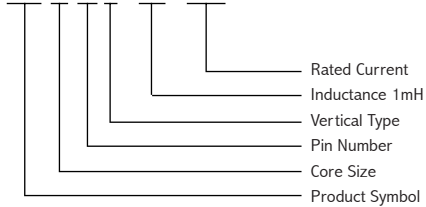
LINE FILTER
TFU TYPE

TFU I 004V Series



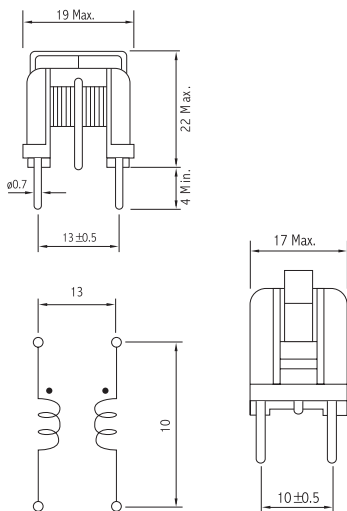
PRODUCT IDENTIFICATION

TFU I 0 04 V - 103 - 0.3A



SHAPE AND DIMENSIONS

Dimensions : mm



SPECIFICATIONS

MODEL	INDUCTANCE (mH) Min.	RATED CURRENT (A)	DC RESISTANCE (Ω /Line) Max.
TFU I 004V-103-0.3A	10	0.3	3.0
TFU I 004V-502-0.3A	5	0.3	2.0
TFU I 004V-502-0.5A	5	0.5	1.5
TFU I 004V-402-0.7A	4	0.7	1.0
TFU I 004V-302-1A	3	1.0	0.5
TFU I 004V-202-1A	2	1.0	0.5
TFU I 004V-102-1A	1	1.0	0.4
TFU I 004V-102-1.3A	1	1.3	0.3
TFU I 004V-102-1.5A	1	1.5	0.2
TFU I 004V-601-2A	0.6	2.0	0.15

* Inductance Measurement Condition : 1KHz CH1061

* RDC : CHEN HWA502BC

■ YAGEO the part number of lead-free products will be added "-N" after original one as identification. Ex:TFU0904V-103-0.1A -N

■ Customized specifications are also welcome

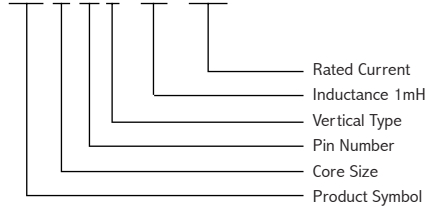
LINE FILTER
TFU TYPE

TFU I 604V Series



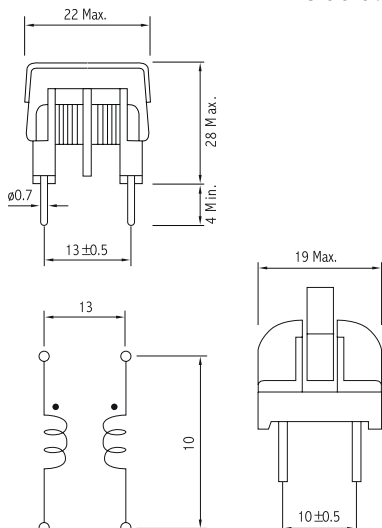
PRODUCT IDENTIFICATION

TFU I 6 04 V - 103 - 0.6A



SHAPE AND DIMENSIONS

Dimensions : mm



SPECIFICATIONS

MODEL	INDUCTANCE (mH) Min.	RATED CURRENT (A)	DC RESISTANCE (Ω /Line) Max.
TFU I 604V-303-0.4A	30	0.4	2.8
TFU I 604V-203-0.5A	20	0.5	1.6
TFU I 604V-103-0.6A	10	0.6	1.2
TFU I 604V-802-0.8A	8	0.8	0.8
TFU I 604V-602-1A	6	1.0	0.5
TFU I 604V-402-1A	4	1.0	0.4
TFU I 604V-352-1.2A	3.5	1.2	0.3
TFU I 604V-152-1.5A	1.5	1.5	0.15

* Inductance Measurement Condition : 1KHz CH1061

* RDC : CHEN HWA502BC

■ YAGEO the part number of lead-free products will be added "-N" after original one as identification. Ex:TFU0904V-103-0. 1A -N

■ Customized specifications are also welcome