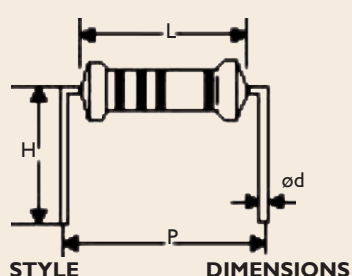




Note :

SPECIAL TYPE (FORMING DIMENSIONS)

M TYPE



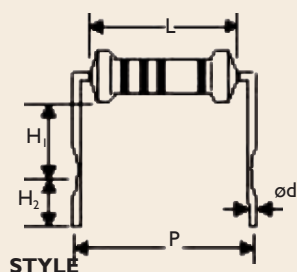
STYLE DIMENSIONS



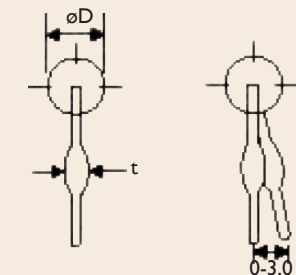
Unit : mm

Normal	Miniature	L	P	øD	ød	H
TYPE-12	TYPE25S	3.4±0.3	6.0±1	1.9±0.2	0.5±0.05	10.0±1
TYPE-25	TYPE50S	6.3±0.5	10.0±1	2.4±0.2	0.6±0.05	10.0±1
TYPE-50	TYPE1WS	9.0±0.5	12.5±1	3.3±0.3	0.6±0.05	10.0±1
TYPE100	TYPE2WS	11.5±1.0	15.0±1	4.5±0.5	0.8±0.05	12.5±1
TYPE200	TYPE3WS	15.5±1.0	20.0±1	5.0±0.5	0.8±0.05	15.0±1

MB TYPE



STYLE



DIMENSIONS

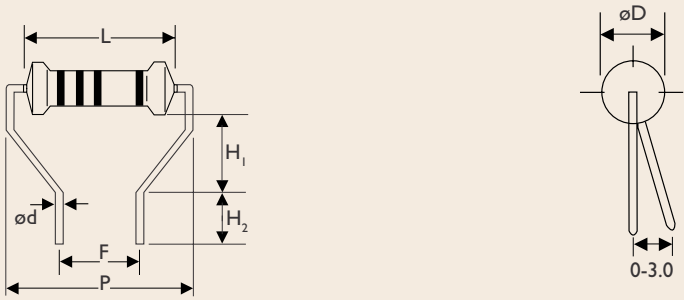
Unit : mm

Normal	Miniature	L	P	øD	ød	H ₁	H ₂	t
TYPE-25	TYPE50S	6.3±0.5	10.0±1	2.4±0.2	0.6±0.05	6.0±1	5.0±1	1.2±0.2
TYPE-50	-	9.0±0.5	12.5±1	3.3±0.3	0.6±0.05	6.0±1	5.0±1	1.2±0.2
-	TYPE1WS	9.0±0.5	12.5±1	3.3±0.3	0.8±0.05	6.0±1	5.0±1	1.4±0.2
TYPE100	TYPE2WS	11.5±1.0	15.0±1	4.5±0.5	0.8±0.05	6.0±1	5.0±1	1.4±0.2
TYPE200	TYPE3WS	15.5±1.0	20.0±1	5.0±0.5	0.8±0.05	10.0±1	5.0±1	1.4±0.2
TYPE300	TYPE5WS	24.5±1.0	30.0±1	8.0±0.5	0.8±0.05	15.0±1	5.0±1	1.4±0.2
TYPE500	-	24.5±1.0	30.0±1	8.0±0.5	0.8±0.05	15.0±1	5.0±1	1.4±0.2



Note :

MR TYPE



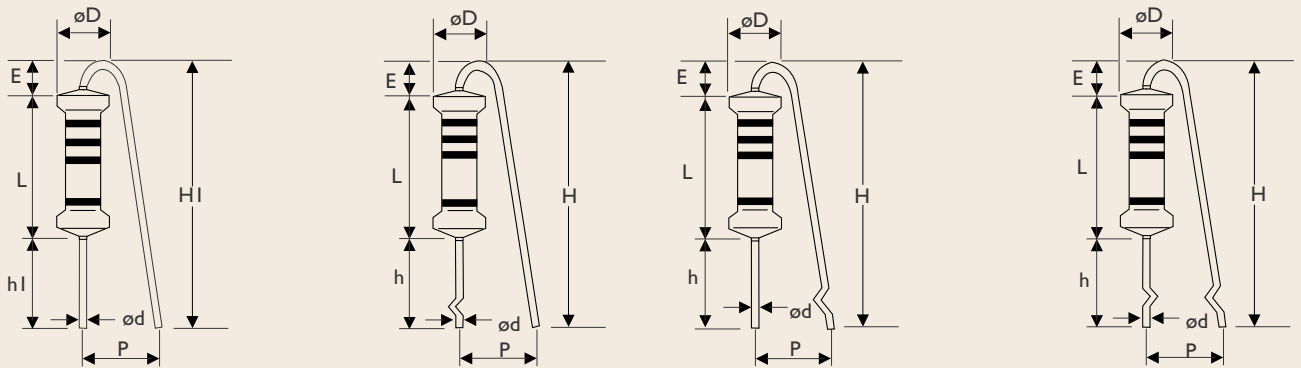
STYLE		DIMENSIONS							Unit : mm
Normal	Miniature	L	P	F	øD	ød	H ₁	H ₂	
TYPE-50	TYPE1WS	9.0±0.5	14.5±1	7.0±0.5	3.3±0.3	0.6±0.05	7.0±1	5.0±1	
TYPE100	TYPE2WS	11.5±1.0	17.5±1	7.0±0.5	4.5±0.5	0.8±0.05	8.0±1	5.0±1	
TYPE200	TYPE3WS	15.5±1.0	21.5±1	7.0±0.5	5.0±0.5	0.8±0.05	9.0±1	5.0±1	

F TYPE

FK TYPE

FFK TYPE

FKK TYPE



STYLE		DIMENSIONS									Unit : mm
Normal	Miniature	L	P	øD	ød	h	H Max.	h ₁	H ₁ Max.	E Max.	
TYPE100	TYPE2WS	11.5±1	6±1	4.5±0.5	0.8±0.05	10.0±1	25	5.0±1	20	3.5	
TYPE200	TYPE3WS	15.5±1	6±1	5.0±0.5	0.8±0.05	10.0±1	30	5.0±1	25	3.5	

*TYPE-25/50S is available.

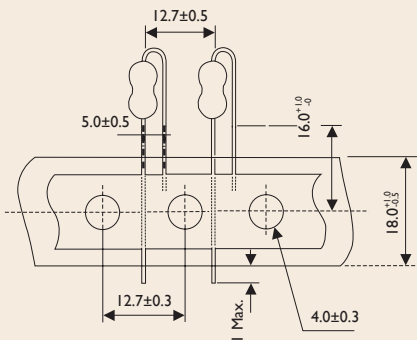


Note :

FT TYPE FORMING FOR TAPING

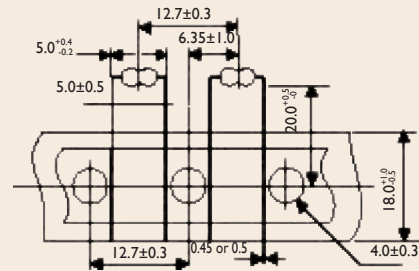
Rated Watts 1/4W & 1/2WS
 Body Dimension : L = 6.3 ± 0.5 mm
 $\phi D = 2.4 \pm 0.2$ mm

Rated Watts : 1/2W & 1WS
 Body Dimension : L = 9 ± 0.5 mm
 $\phi D = 3.3 \pm 0.3$ mm



MT TYPE FORMING FOR TAPING

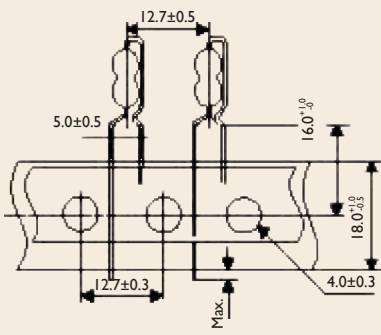
Rated Watts 1/6W & 1/4WS
 Body Dimension : L = 3.4 ± 0.3 mm
 $\phi D = 1.9 \pm 0.2$ mm



PN TYPE FORMING FOR TAPING

Rated Watts 1/4W & 1/2WS
 Body Dimension : L = 6.3 ± 0.5 mm
 $\phi D = 2.4 \pm 0.2$ mm

Rated Watts : 1/2W & 1WS
 Body Dimension : L = 9 ± 0.5 mm
 $\phi D = 3.3 \pm 0.3$ mm



AV TYPE FORMING FOR TAPING

Rated Watts 1/4W & 1/2WS
 Body Dimension : L = 6.3 ± 0.5 mm
 $\phi D = 2.4 \pm 0.2$ mm

Rated Watts : 1/2W & 1WS
 Body Dimension : L = 9 ± 0.5 mm
 $\phi D = 3.3 \pm 0.3$ mm

