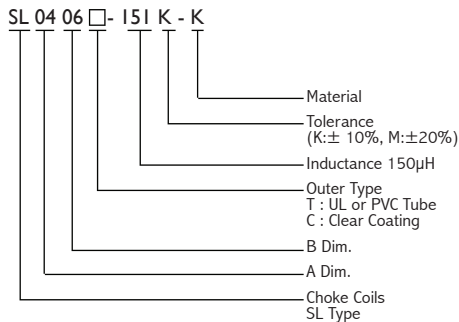


CHOKE COILS SL TYPE

SL0406 Series

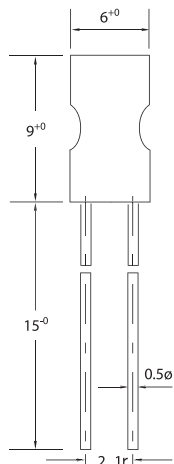


PRODUCT IDENTIFICATION



DIMENSIONS

Dimensions : mm



FEATURES

- Low Cost
- Wide Range of Inductance
- High Reliability

ELECTRICAL PARAMETERS

| ITEM | INDUC-TANCE L (µH) | TEST FREQ. (MHz) | STANDARD SPEC. | | | IDC (mA) |
|----------------|-----------------------|------------------------|----------------|-------------------------|--------------------------------|-------------|
| | | | Q Min. | S.R.F. Min. (MHz) | D.C. RESISTANCE Max. (Ω) | |
| SL0406-1R0K-D2 | 1.0 | 7.96 | 50 | 105 | 0.15 | 300 |
| SL0406-1R2K-D2 | 1.2 | 7.96 | 50 | 90 | 0.15 | 300 |
| SL0406-1R5K-D2 | 1.5 | 7.96 | 55 | 75 | 0.20 | 300 |
| SL0406-1R8K-D2 | 1.8 | 7.96 | 70 | 75 | 0.20 | 300 |
| SL0406-2R2K-D2 | 2.2 | 7.96 | 75 | 65 | 0.25 | 300 |
| SL0406-2R7K-D2 | 2.7 | 7.96 | 80 | 60 | 0.25 | 300 |
| SL0406-3R3K-D2 | 3.3 | 7.96 | 80 | 50 | 0.25 | 300 |
| SL0406-3R9K-D2 | 3.9 | 7.96 | 80 | 45 | 0.30 | 300 |
| SL0406-4R7K-D2 | 4.7 | 7.96 | 75 | 40 | 0.30 | 300 |
| SL0406-5R6K-D2 | 5.6 | 7.96 | 75 | 35 | 0.35 | 300 |
| SL0406-6R8K-D2 | 6.8 | 7.96 | 70 | 30 | 0.35 | 300 |
| SL0406-8R2K-D2 | 8.2 | 7.96 | 70 | 25 | 0.35 | 300 |
| SL0406-100K-D2 | 10 | 2.52 | 80 | 20 | 0.60 | 300 |
| SL0406-120K-D2 | 12 | 2.52 | 80 | 18 | 0.65 | 200 |
| SL0406-150K-D2 | 15 | 2.52 | 80 | 17 | 0.75 | 200 |
| SL0406-180K-D2 | 18 | 2.52 | 75 | 15 | 0.85 | 200 |
| SL0406-220K-D2 | 22 | 2.52 | 75 | 13 | 1.00 | 200 |
| SL0406-270K-D2 | 27 | 2.52 | 75 | 11 | 1.20 | 200 |
| SL0406-330K-D2 | 33 | 2.52 | 75 | 10.5 | 1.30 | 200 |
| SL0406-390K-D2 | 39 | 2.52 | 70 | 10.0 | 1.50 | 200 |
| SL0406-470K-K | 47 | 2.52 | 70 | 9.5 | 1.60 | 200 |
| SL0406-560K-K | 56 | 2.52 | 65 | 9.0 | 1.65 | 200 |
| SL0406-680K-K | 68 | 2.52 | 60 | 8.5 | 1.80 | 200 |
| SL0406-820K-K | 82 | 2.52 | 55 | 7.5 | 1.85 | 200 |
| SL0406-101K-K | 100 | 0.796 | 80 | 7.0 | 2.00 | 200 |
| SL0406-121K-K | 120 | 0.796 | 80 | 6.2 | 2.50 | 100 |
| SL0406-151K-K | 150 | 0.796 | 80 | 5.8 | 3.00 | 100 |
| SL0406-181K-K | 180 | 0.796 | 75 | 5.4 | 3.50 | 100 |
| SL0406-221K-K | 220 | 0.796 | 75 | 4.9 | 4.00 | 100 |
| SL0406-271K-K | 270 | 0.796 | 70 | 3.9 | 5.00 | 100 |
| SL0406-331K-K | 330 | 0.796 | 70 | 3.7 | 6.00 | 50 |
| SL0406-391K-K | 390 | 0.796 | 70 | 3.3 | 6.50 | 50 |
| SL0406-471K-K | 470 | 0.796 | 70 | 3.0 | 7.50 | 50 |
| SL0406-561K-K | 560 | 0.796 | 70 | 2.2 | 8.00 | 50 |
| SL0406-681K-K | 680 | 0.796 | 70 | 2.0 | 8.50 | 50 |
| SL0406-821K-K | 820 | 0.796 | 70 | 1.8 | 9.50 | 50 |

* Customers' specifications are welcome.

TEST INSTRUMENTS

- L & Q : HP 4385 + HP 42851A
- RDC : CHEN HWA502BC
- SRF : HP4287A
- IDC : CHEN HWA CH1061+301A

- YAGEO the part number of lead-free products will be added "-N" after original one as identification. Ex: SL0406 - 1R0K-D2-N
- YAGEO uses UL tube on SL Series to avoid damage when wave soldering
- Customized specifications are also welcome

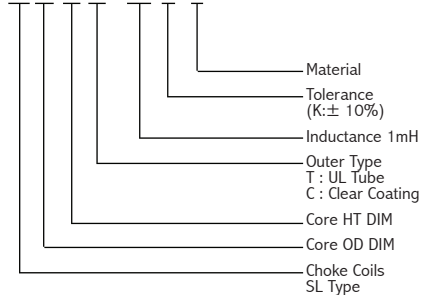
CHOKE COILS SL TYPE

SL0608 Series



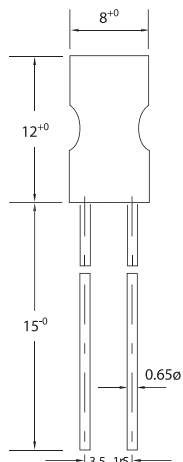
PRODUCT IDENTIFICATION

SL 06 08 □ - 102 K - B



DIMENSIONS

Dimensions : mm



FEATURES

- Low Cost
- Wide Range of Inductance
- High Reliability

ELECTRICAL PARAMETERS

| ITEM | INDUCTANCE L (mH) | TEST FREQ. (MHz) | Q. Min. | D.C. RESISTANCE Max. (Ω) | IDC (mA) |
|----------------|----------------------|------------------------|------------|--------------------------------|-------------|
| SL0608□-102K-B | 1.0 | 252 | 80 | 4.0 | 110 |
| SL0608□-122K-B | 1.2 | 252 | 80 | 4.7 | 95 |
| SL0608□-152K-B | 1.5 | 252 | 80 | 5.9 | 90 |
| SL0608□-182K-B | 1.8 | 252 | 80 | 6.0 | 80 |
| SL0608□-222K-B | 2.2 | 252 | 80 | 7.3 | 70 |
| SL0608□-272K-B | 2.7 | 252 | 80 | 9.0 | 65 |
| SL0608□-332K-B | 3.3 | 252 | 80 | 10 | 60 |
| SL0608□-392K-B | 3.9 | 252 | 80 | 11 | 55 |
| SL0608□-472K-B | 4.7 | 252 | 80 | 15 | 52 |
| SL0608□-562K-B | 5.6 | 252 | 80 | 16 | 50 |
| SL0608□-682K-B | 6.8 | 252 | 80 | 22 | 45 |
| SL0608□-822K-B | 8.2 | 252 | 80 | 25 | 40 |
| SL0608□-103K-B | 10 | 79.6 | 80 | 32.5 | 35 |
| SL0608□-123K-B | 12 | 79.6 | 80 | 53 | 32 |
| SL0608□-153K-B | 15 | 79.6 | 80 | 62 | 30 |
| SL0608□-183K-B | 18 | 79.6 | 80 | 68 | 28 |
| SL0608□-223K-B | 22 | 79.6 | 80 | 78 | 25 |
| SL0608□-273K-B | 27 | 79.6 | 80 | 90 | 22 |
| SL0608□-333K-B | 33 | 79.6 | 80 | 150 | 20 |
| SL0608□-393K-B | 39 | 79.6 | 80 | 160 | 16 |
| SL0608□-473K-B | 47 | 79.6 | 80 | 190 | 15 |

* Customers' specifications are welcome.

TEST INSTRUMENTS

- L & Q : HP 4285 + HP 42851A
- RDC : CHEN HWA502BC

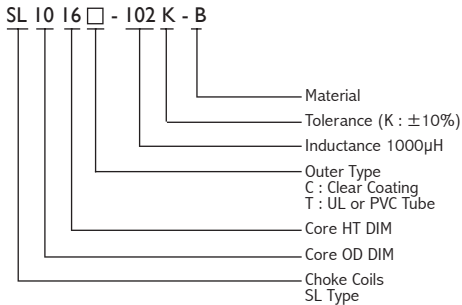
- YAGEO the part number of lead-free products will be added "-N" after original one as identification. Ex: SL0608 □ -102K-B-N
- YAGEO uses UL tube on SL Series to avoid damage when wave soldering
- Customized specifications are also welcome

CHOKE COILS
SL TYPE

SL1016 Series

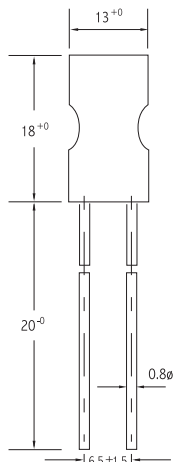


PRODUCT IDENTIFICATION



DIMENSIONS

Dimensions : mm



FEATURES

- Low Cost
- Wide Range of Inductance
- High Reliability

ELECTRICAL PARAMETERS

| ITEM | INDUCTANCE L (µH) | D.C. RESISTANCE Max. (Ω) | IDC (A) |
|----------------|----------------------|--------------------------------|------------|
| SL1016□-4R7K-B | 4.7 | 0.018 | 10 |
| SL1016□-6R8K-B | 6.8 | 0.020 | 10 |
| SL1016□-8R2K-B | 8.2 | 0.022 | 10 |
| SL1016□-100K-B | 10 | 0.027 | 7.6 |
| SL1016□-120K-B | 12 | 0.024 | 7.5 |
| SL1016□-150K-B | 15 | 0.031 | 6.5 |
| SL1016□-180K-B | 18 | 0.039 | 6.0 |
| SL1016□-220K-B | 22 | 0.039 | 5.4 |
| SL1016□-330K-B | 33 | 0.047 | 4.4 |
| SL1016□-470K-B | 47 | 0.053 | 3.8 |
| SL1016□-560K-B | 56 | 0.068 | 3.4 |
| SL1016□-680K-B | 68 | 0.078 | 3.0 |
| SL1016□-101K-B | 100 | 0.099 | 2.5 |
| SL1016□-121K-B | 120 | 0.128 | 2.0 |
| SL1016□-151K-B | 150 | 0.182 | 1.8 |
| SL1016□-181K-B | 180 | 0.195 | 1.6 |
| SL1016□-221K-B | 220 | 0.312 | 1.4 |
| SL1016□-271K-B | 270 | 0.32 | 1.3 |
| SL1016□-331K-B | 330 | 0.39 | 1.2 |
| SL1016□-391K-B | 390 | 0.40 | 1.1 |
| SL1016□-471K-B | 470 | 0.49 | 1.0 |
| SL1016□-561K-B | 560 | 0.52 | 0.95 |
| SL1016□-681K-B | 680 | 0.88 | 0.80 |
| SL1016□-821K-B | 820 | 0.89 | 0.75 |
| SL1016□-102K-B | 1000 | 1.50 | 0.65 |
| SL1016□-122K-B | 1200 | 1.15 | 0.60 |
| SL1016□-152K-B | 1500 | 1.3 | 0.52 |
| SL1016□-182K-B | 1800 | 1.9 | 0.50 |
| SL1016□-222K-B | 2200 | 2.0 | 0.45 |
| SL1016□-332K-B | 3300 | 4.6 | 0.35 |
| SL1016□-472K-B | 4700 | 5.6 | 0.30 |
| SL1016□-682K-B | 6800 | 7.0 | 0.25 |
| SL1016□-752K-B | 7500 | 7.7 | 0.24 |
| SL1016□-822K-B | 8200 | 10.4 | 0.23 |
| SL1016□-103K-B | 10000 | 11.7 | 0.18 |
| SL1016□-123K-B | 12000 | 13.8 | 0.16 |
| SL1016□-153K-B | 15000 | 15.6 | 0.15 |
| SL1016□-223K-B | 22000 | 23.4 | 0.10 |

TEST INSTRUMENTS

- L : HP 4263B @ 1kHz, 1V
- RDC : CHEN HWA502BC
- IDC : CHEN HWA CH1061+301A
- Customers' specifications are welcome.

- YAGEO the part number of lead-free products will be added "-N" after original one as identification. Ex: SL1016□-4R7K-B-N
- YAGEO uses UL tube on SL Series to avoid damage when wave soldering
- Customized specifications are also welcome