

FB Series

Surface Mount Beads

APPLICATIONS

For Stereo, Car radio, Mobile telephone, VCRs, Computer disk drive and PC board to filter the EMI from the outside.

OUTLINE

YAGEO surface mount beads are similar impedance levels to leaded shield beads.

These beads have high current carrying capacity, Compact size are good for use with flow or reflow soldering processes.

FEATURES

Specially designed for surface mounting equipment, are available in various sizes which are available in range of application and usage.

High Resistance fights Heat and Humidity

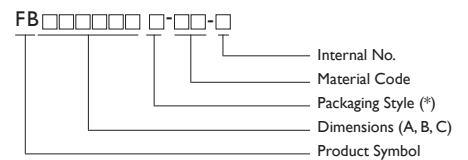
FB Series



FB865626T-Y7

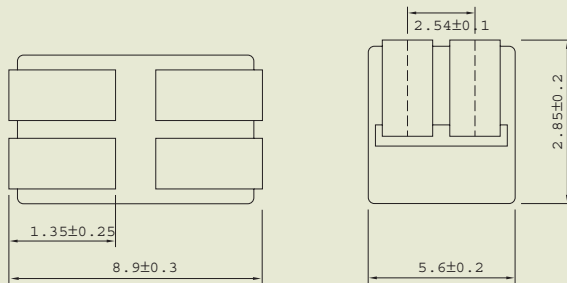


PRODUCT IDENTIFICATION



Dimensions : mm

Figure 2



TYPE	A	B	C	D	E	TAPE WIDTH	FIGURE
FB423226	3.81~4.32	2.92~3.18	2.41~2.67	1.27	1.3	12	1
FB784729	7.62~8.13	4.50~5.00	2.66~3.18	2.03	1.3	16	1
FB863226	8.40~8.75	2.92~3.18	2.41~2.67	1.27	1.35	16	1
FB865626	8.9±0.3	5.6 ± 0.2	2.85 ± 0.2	1.35 ± 0.25	2.54 ± 0.1	16	2

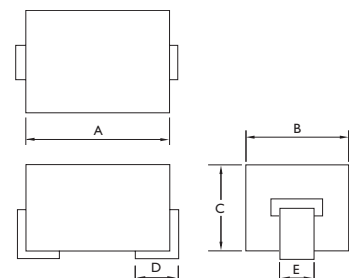
* B: Bulk ; T: Tape and Reel

■ YAGEO will start to release lead-free that meet SONY SS-00259's criteria, and Internal No. will be changed to "N" as identification.

Ex. FB423226-Y7-N

SHAPES AND DIMENSIONS

Figure 1





ELECTRICAL CHARACTERISTICS

PART NO.	IMPEDANCE (Ω)	IMPEDANCE (Ω)	DC RESISTANCE
	Min. at 25MHz	Min. at 100MHz	(Ω) Max.
FB423226-Y7-S	24	40	0.6
FB784729-Y7-S	48	72	0.9
FB863226-Y7-S	48	72	0.9
FB865626-Y7-S	30	60 \pm 20%	

ELECTRICAL CHARACTERISTICS: LEAD-FREE & ROHS COMPLIANCE

PART NO.	Z (Ω)	Z (Ω)	TEST FREQ (MHz)
FB423226T-Y7-N	24-0	36-0	25/100
FB784729T-Y7-N	24-0	36-0	25/100
FB863226T-Y7-N	24-0	36-0	25/100
FB865656T-Y7-N	30-0	60 \pm 20%	25/100

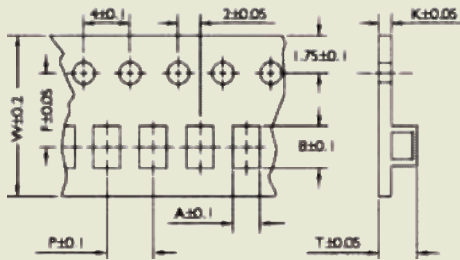
NOTE:

1. Operation temperature range -25°C~85°C

“-N” FOR COMPLETELY LEAD FREE TYPE(INCLUDING FERRITE BODY & SOLDER)

TAPE DIMENSIONS

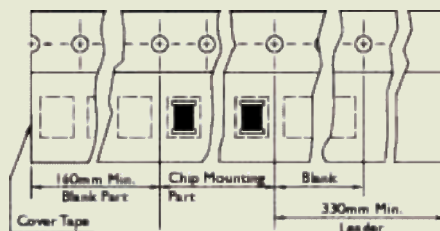
Dimensions : mm



TYPE	A	B	T	W	P	F	K
FB423226-S	3.64	5.30	3.10	12	8	5.5	0.3
FB784729-S	5.24	8.77	3.69	16	8	7.5	0.3
FB863226-S	3.28	9.35	3.06	16	8	7.5	0.3
FB865626-S	6.30	9.30	3.10	16	8	7.5	0.27

TAPE MATERIAL

Carrier Tape : Polystyrene Cover Type : Polyethyiene



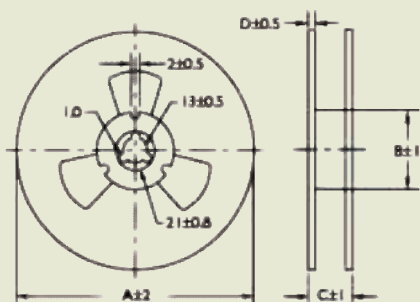
PACKAGING QUANTITY

TYPE	BULK	QUANTITY/REEL
FB423226-Y7	√	500
FB784729-Y7	√	500
FB863226-Y7	√	500
FB865626-Y7	√	2400



REEL DIMENSIONS

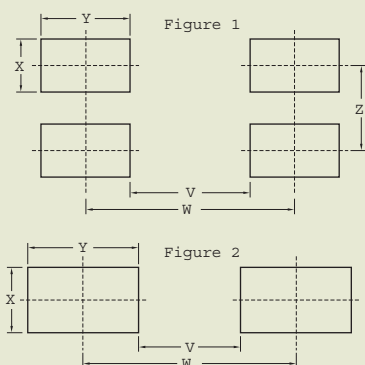
Dimensions : mm



TYPE	A	B	C	D
FB423226	178	60	16	1.5
FB784729	178	60	20	1.5
FB863226	178	60	20	1.5
FB865626	330	100	21	2

RECOMMENDED PATTERN

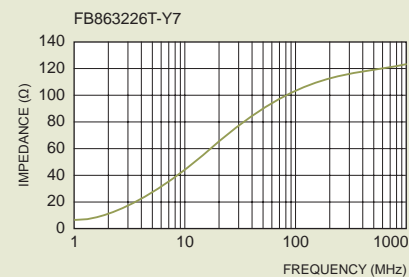
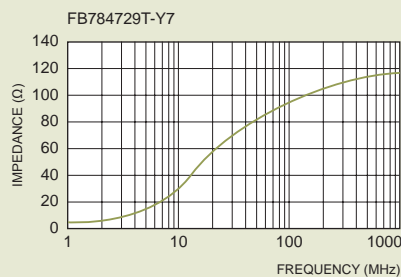
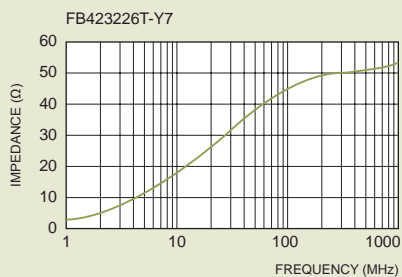
Dimensions : mm



TYPE	V	W	X	Y	Z	FIGURE
FB423226	1.0	4.0	1.8	3.0	-	2
FB784729	5.0	8.0	1.8	3.0	-	2
FB863226	4.5	7.5	1.8	3.0	-	2
FB865626		7.5	1.8	3.0	2.54	1

TYPICAL ELECTRICAL CHARACTERISTICS

Test Instruments : HP4291A Impedance/Material Analyzer





FB SERIES RELIABILITY TEST

I-1 MECHANICAL PERFORMANCE

NO.	ITEM	SPECIFICATION	TEST CONDITIONS
I-1-1	Vibration	Appearance : No Damage Z Change : within $\pm 20\%$ RDC : within Specification	Test device shall be soldered on the substrate. Oscillation Frequency : 10 to 55 to 10Hz for 1Min. Amplitude : 1.5mm Time : 2Hrs. for each Axis (X,Y & Z), Total 6Hrs.

I-2 ENVIRONMENTAL PERFORMANCE

NO.	ITEM	SPECIFICATION	TEST CONDITIONS															
I-2-1	Temperature Cycle	Appearance : No Damage Z Change : within $\pm 20\%$ RDC : within Specification	<p>One Cycle</p> <table border="1"> <thead> <tr> <th>Step</th> <th>Temperature ($^{\circ}\text{C}$)</th> <th>Time (Min.)</th> </tr> </thead> <tbody> <tr> <td>1</td> <td>-55 ± 3</td> <td>30</td> </tr> <tr> <td>2</td> <td>25 ± 2</td> <td>3</td> </tr> <tr> <td>3</td> <td>125 ± 3</td> <td>30</td> </tr> <tr> <td>4</td> <td>25 ± 2</td> <td>3</td> </tr> </tbody> </table> <p>Total : 100 Cycles Measured after Exposure in the Room Condition for 24Hrs.</p>	Step	Temperature ($^{\circ}\text{C}$)	Time (Min.)	1	-55 ± 3	30	2	25 ± 2	3	3	125 ± 3	30	4	25 ± 2	3
Step	Temperature ($^{\circ}\text{C}$)	Time (Min.)																
1	-55 ± 3	30																
2	25 ± 2	3																
3	125 ± 3	30																
4	25 ± 2	3																
I-2-2	Humidity Resistance		<p>Temperature : $40 \pm 2^{\circ}\text{C}$ Relative Humidity : 90 ~ 95% Time : 1000Hrs. Measured after Exposure in the Room Condition for 24Hrs.</p>															
I-2-3	High Temperature Resistance		<p>Temperature : $125 \pm 3^{\circ}\text{C}$ Relative Humidity : 0% Time : 1000Hrs. Measured after Exposure in the Room Condition for 24Hrs.</p>															
I-2-4	Low Temperature Resistance		<p>Temperature : $-55 \pm 3^{\circ}\text{C}$ Relative Humidity : 0% Time : 1000Hrs. Measured after Exposure in the Room Condition for 24Hrs.</p>															