

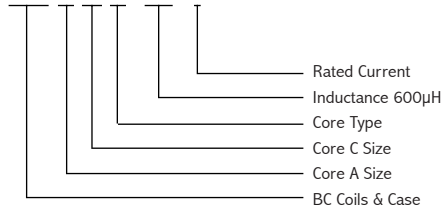
# LINE FILTER BCC I307RI TYPE

# BCC TYPE Series



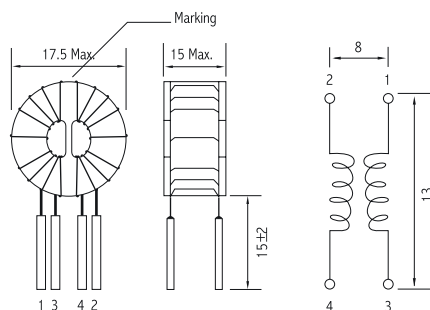
## PRODUCT IDENTIFICATION

BCC I3 07 RI - 601 - I



## DIMENSIONS

Dimensions : mm



## APPLICATIONS

For Line Filters of Switching Power Supplies

Countermeasures Against Static Noise at Power Line and Signal Lines

For TVs, Monitors and Audio Equipments

For Line Filters of AC Adapters, Battery Chargers, Etc.

For Sequence Controllers

For AC Adapters and Battery Chargers With Switching Power Supplies

■ YAGEO the part number of lead-free products will be added "-N" after original one as identification. Ex: BCC I307RI -601 -I -N

■ Customized specifications are also welcome

## FEATURES

Compact Size and Lightweight

Excellent Frequency Characteristics

## SPECIFICATIONS

Dimensions : mm

MODEL	INDUCTANCE (mH) Min.	RATED CURRENT (A)	DC RESISTANCE (mΩ/Line) Max.	WIRE SIZE (mmø)
BCCI307RI-601-1	0.6	1	60	0.4
BCCI307RI-102-1	1.0	1	70	0.4
BCCI307RI-202-1	2.0	1	100	0.4
BCCI307RI-302-1	3.0	1	120	0.4
BCCI307RI-502-1	5.0	1	150	0.4
BCCI307RI-702-1	7.0	1	200	0.4
BCCI307RI-601-2	0.6	2	50	0.5
BCCI307RI-102-2	1.0	2	60	0.5
BCCI307RI-202-2	2.0	2	70	0.5
BCCI307RI-302-2	3.0	2	85	0.45
BCCI307RI-502-2	5.0	2	95	0.45
BCCI307RI-601-3	0.6	3	30	0.6
BCCI307RI-102-3	1.0	3	35	0.6

\* Inductance Measurement Condition : 1KHz HP-4263B

Note : Custome-Made Coils With Different Inductance and Rated Current Available on Request.

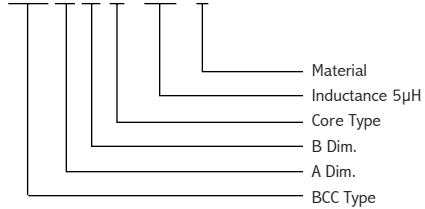
DATA LINE FILTER  
BCC0403RI TYPE

# BCC TYPE Series



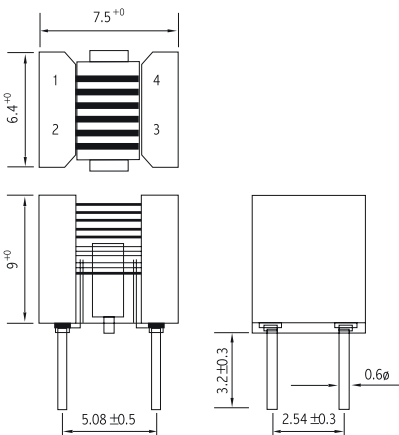
## PRODUCT IDENTIFICATION

BCC 04 03 RI - 5R0 - B



## DIMENSIONS

Dimensions : mm



## APPLICATIONS

EMI Countermeasures at Signal Lines of Personal Computers, Microcomputers, Peripheral Device, Etc.

Countermeasures Against Common-Mode Noise at Composite Video Signals

## FEATURES

Compact Size

High Performance

Low Cost

Enable Common-Mode Noise Suppression Without Influence Video Signals

■ YAGEO the part number of lead-free products will be added "-N" after original one as identification. Ex: BCC0403RI-5R0-B-N

■ Customized specifications are also welcome

## SPECIFICATIONS

MODEL	INDUCTANCE L (µH) @ 1KHz	RDC (mΩ)
BCC0403RI-5R0-B	5 <sup>-0</sup>	60 <sup>+0</sup>
BCC0403RI-800-B	80±35%	55 <sup>+0</sup>

## TEST INSTRUMENTS

L : HP 4261A Digital LCR Meter

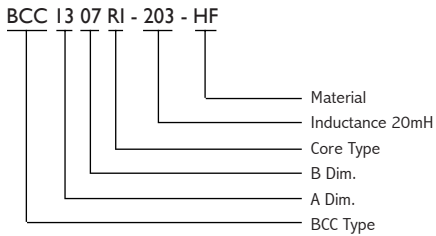
RDC : Digital Multimeter SC-7401

CURRENT SENSE INDUCTOR  
BCC1307RI TYPE

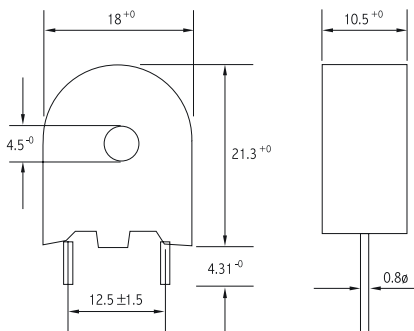
# BCC TYPE Series



## PRODUCT IDENTIFICATION



## PRODUCT IDENTIFICATION



## APPLICATIONS

Designed for Switching Power Supply Application

## FEATURES

Sturdy Construction

## SPECIFICATIONS

MODEL	INDUCTANCE L (mH) @ 1KHz	RDC (Ω)
BCC1307RI-203-HF	20 <sup>-0</sup>	1.4 <sup>+0</sup>
BCC1307RI-803-HF	80 <sup>-0</sup>	4.5 <sup>+0</sup>

## TEST INSTRUMENTS

L : HP 4261A Digital LCR Meter

RDC : Digital Multimeter SC-7401

- YAGEO the part number of lead-free products will be added "-N" after original one as identification.
- Customized specifications are also welcome